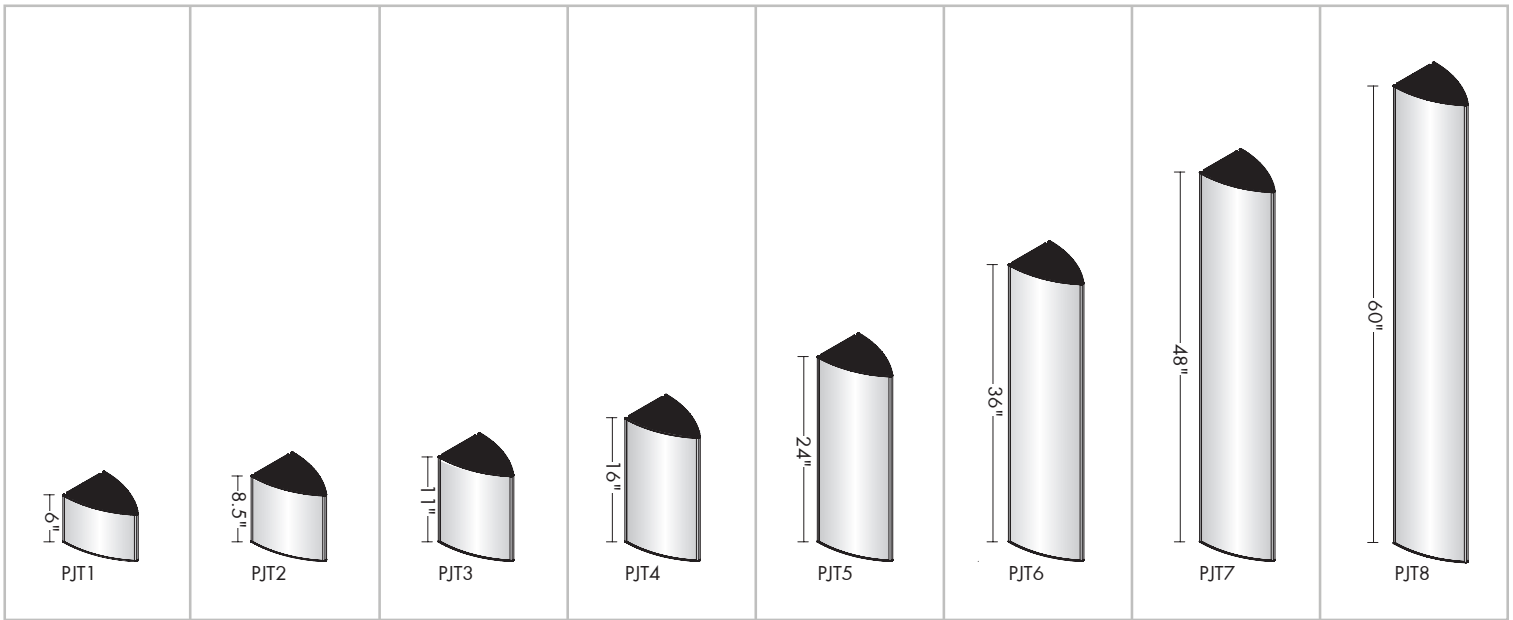


# TRIANGULAR SIGNS

## PJT Series | Triangular Projecting Frames

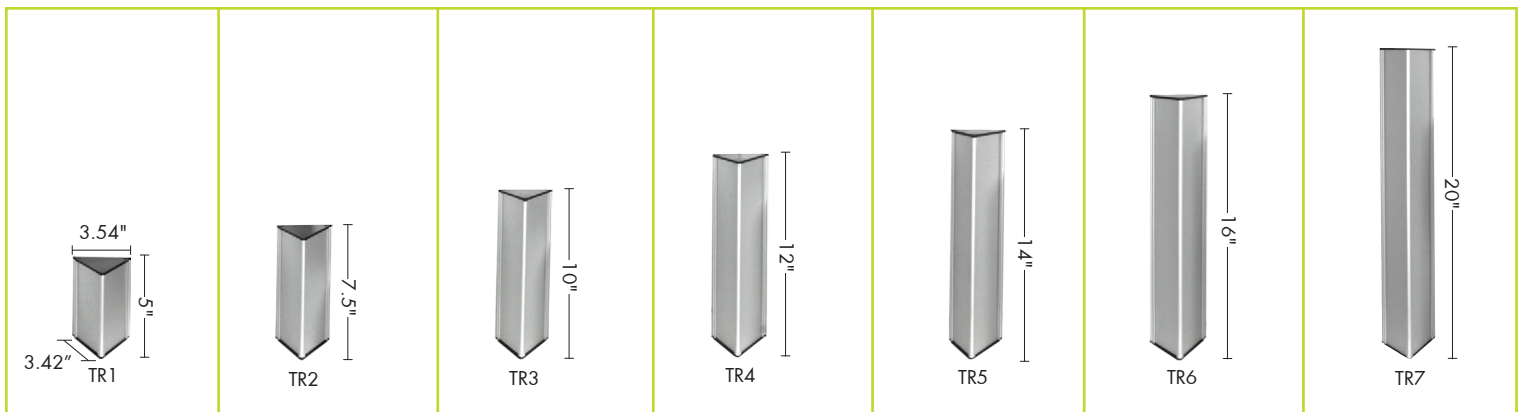
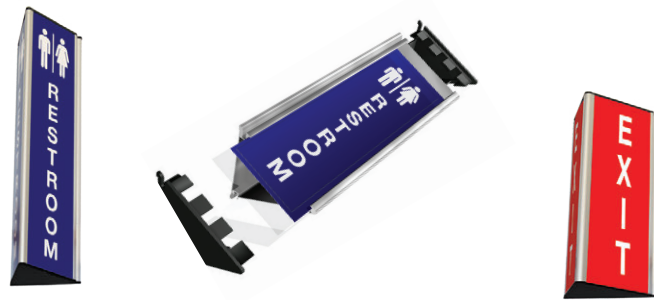
Visible from two directions, triangular projecting frames come in two silver or black aluminum curved faces and two black powder-coated steel end caps. Mounting plates come standard with both keyholes and round holes allowing for wall or ceiling mount. Available in eight standard heights. Custom lengths available.



## TR Series

*top & bottom end caps*

The triangular aluminum extruded body with impact-modified molded plastic end caps allows for wall or ceiling mount and is visible from two directions. Custom lengths available.



All length measurements apply to the extrusion only and exclude the end caps.